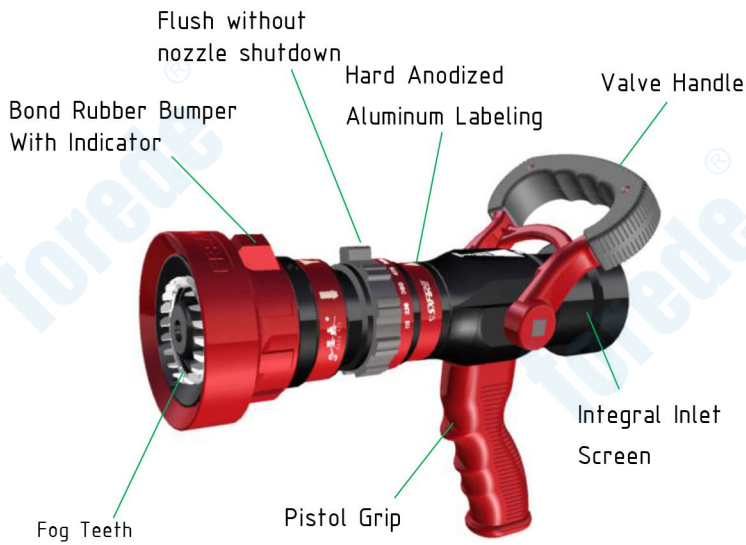


# forede®

## Selectable Gallonage Fire Nozzle Manual

▼ **QLD7.0/15III-SX**



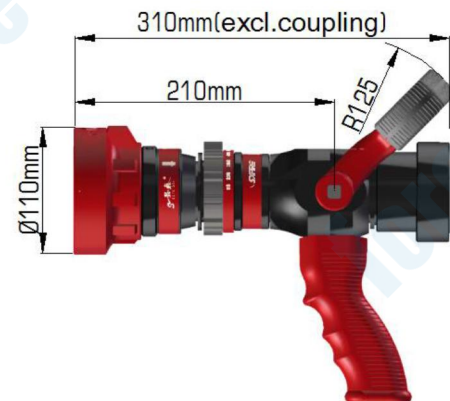


## Features

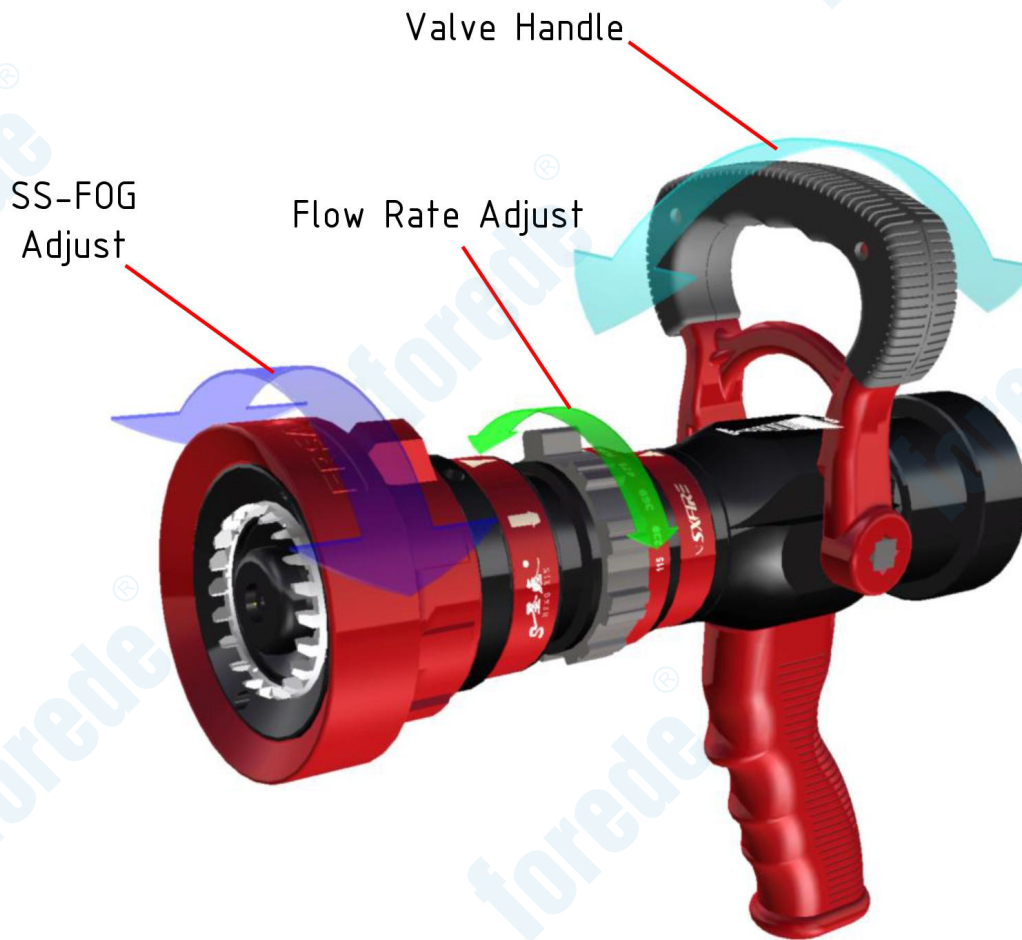
- Pattern Identification
- Hard Anodized Aluminum labels, Laser Engraved
- Simple to operate (1/4 turn from straight stream to fog)
- Raised lug marks straight stream for limited visibility operations
- Easy to service & repair
- CCC certificate
- Compatible with Quick Attach Foam Tube

## Specifications

Weight (excl. coupling)	2.8 kg
Material	body: aluminum valve: ABS handle: ABS bumper: rubber
Work Pressure	100PSI ( 7 bar )
Max. Pressure	360PSI ( 25bar )
Max. fog angle	120°
Throw range	55m @ 7bar @950L/M
Flow range	360 L/M@7bar 475 L/M@7bar 570 L/M@7bar 760 L/M@7bar 950 L/M@7bar Flush
Inlet size	2.5" (65mm)
Coupling	Storz / NH / BSP /Russian type etc.

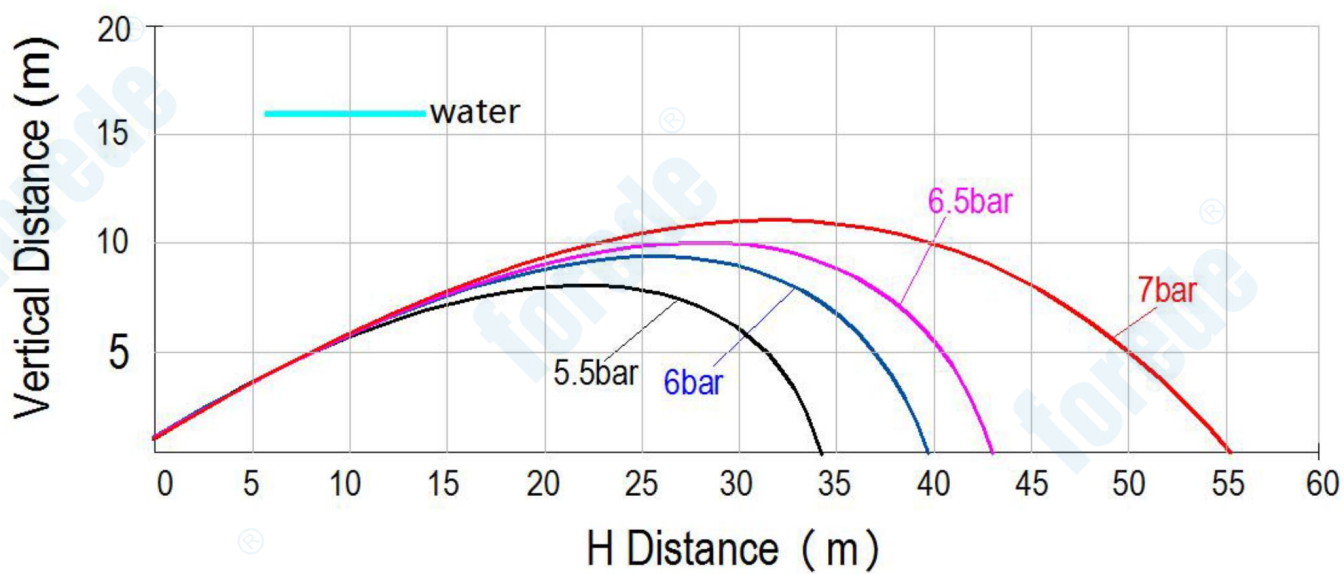


## Operation



- **Valve Close** : Push the handle forward
- **Valve Open** : Pull the handle backward
- **Flow rate adjust**: Twist the flow adjust ring to obtain required flow rate
- **SS-FOG Pattern**: Twist the rubber bumper

## Performance Chart



Testing Environment : 30° throw angle , wind speed  $\leq 2\text{m/s}$