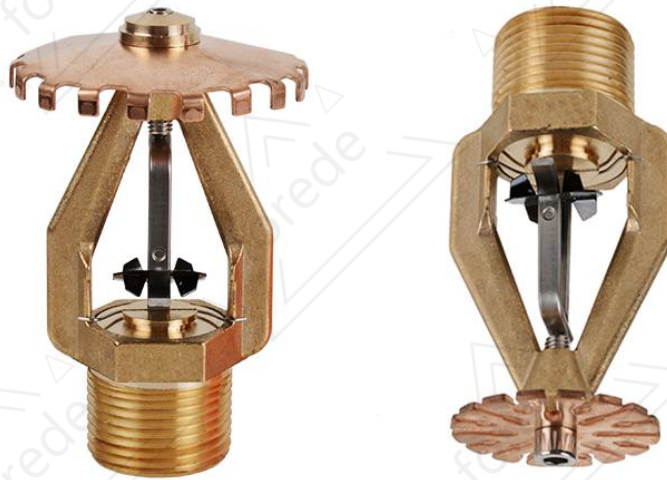


Fusible Alloy ESFR -363 Fire Sprinkler

Model:ESFR-363



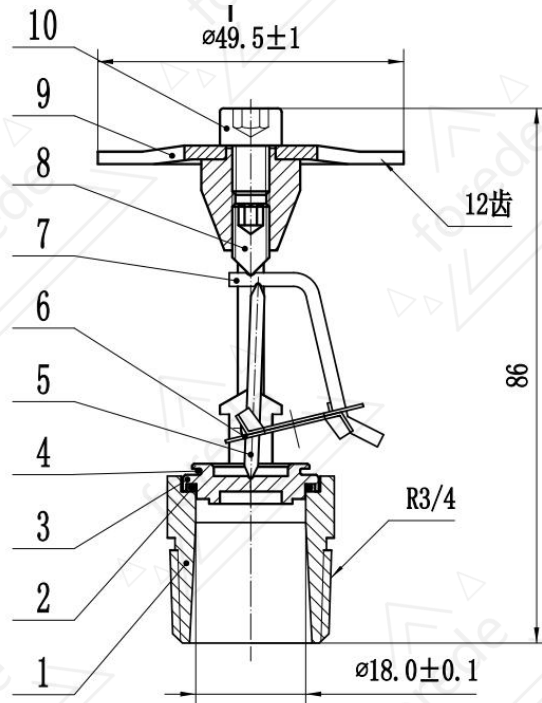
Description

FOREDE Model ESFR 363 Fire Sprinklers are Early Suppression, Fast Response (ESFR) sprinklers designed for use in warehouses and elevated warehouses with a headroom of more than 8 meters and less than 13.7 meters.

Specification

Main Material	Brass	
K factor	25@US(363@Metric)	
Sensitive Element	Fusible Alloy	
Operation Temp.	74°C	100°C
Yoke Arm Colour	Colorless	White
Response Type	Fast (ESFR)	
Thread Size	DN25(1") , BSP/NPT Optional	
Max.Working pressure	175Psi (12.1Bar)	
Installation	Upright/Pendent	
Surface Finishing	Natural Brass	

Construction



Item Number	Part Name	Material
1	Frame	Brass
2	O-ring	Fluororubber
3	Button	Brass
4	Spring	Stainless Steel
5	Strut	Stainless Steel
6	Fusible Alloy	Brass With NBR O-Ring
7	Hook	Stainless Steel
8	Taper End Set Screw	Stainless Steel
9	Deflector	Stainless Steel
10	Socket Head Cap Screws M 6 x 8	Stainless Steel