



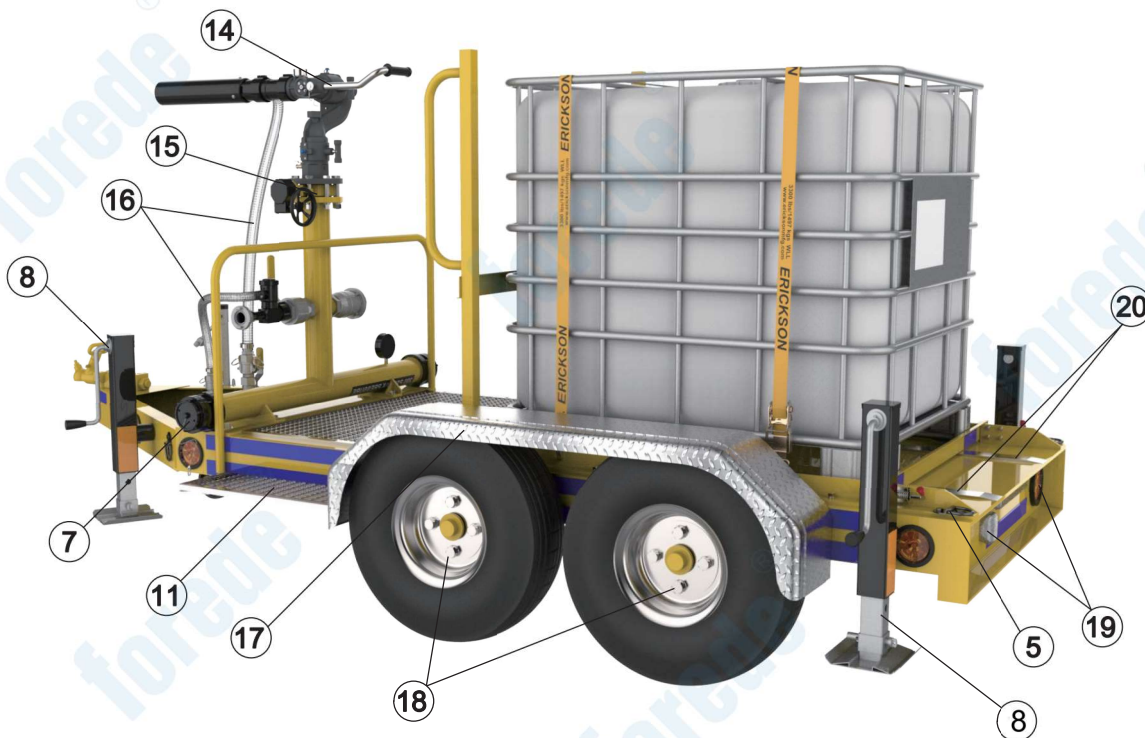
MOBILE TRAILER MOUNTED MONITOR

PLKD30T(IBC)

QUANZHOU FOREDE FIREFIGHTING EQUIPMENT CO.,LTD.

Designed 2019

MONITOR DESCRIPTION

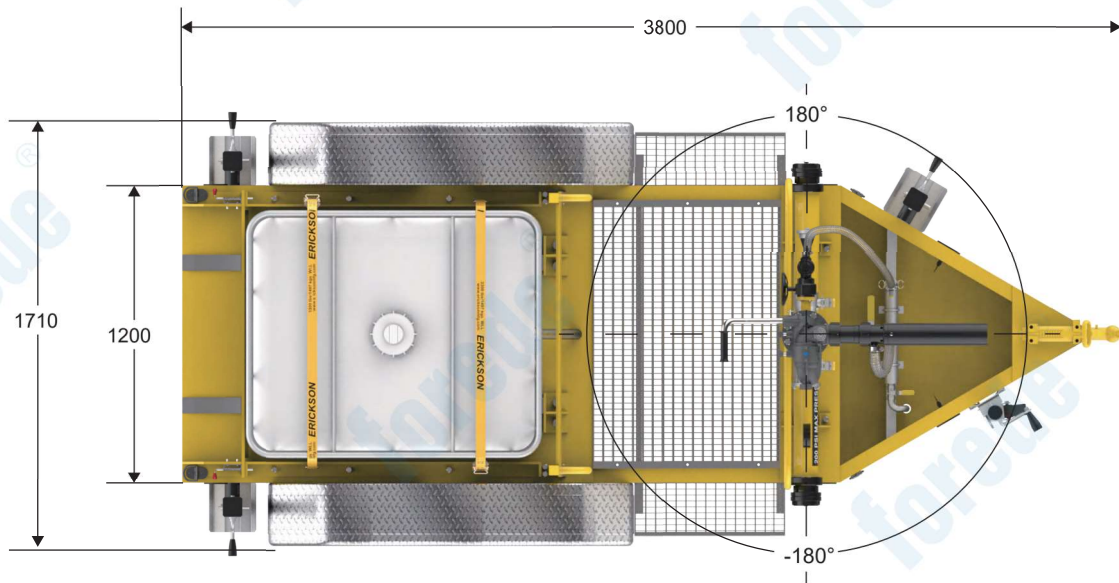


- | | |
|--|--|
| 1 Hand brake and towing | 11 Non slip decking |
| 2 Frame and accessories painted YELLOW RAL 1023 | 12 Restraining straps and mounting platform for IBC |
| 3 Manual jockey wheel | 13 1000 litre IBC foam container with foam resistant plastic body |
| 4 Drain valve | 14 PLKD32 Fire monitor |
| 5 D-rings | 15 Gate valve DN80 |
| 6 Pressure gage | 16 Foam suction hose and connection to self inducing monitor nozzle/cannon |
| 7 Water inlet single 80mm (3") Storz coupling (alternative inlets available) | 17 Mudguards |
| 8 Manual stabilisation jacks with folding handles | 18 Pneumatic tyre |
| 9 Foam inductor | 19 Road going lights at rear |
| 10 Outlet valve | 20 Slide bar |

PLKD30T(IBC)

Mobile Trailer Mounted Monitor

OUTLINE DIMENSIONS



PLKD30T(IBC) trailer mounted monitor Outline Dimensions (MM)

The FOREDE PLKD30T(IBC) trailer mounted monitor is designed to provide a mobile monitor capable of projecting fire fighting foam over a distance of 50 m* (180 ft). The unit can be supplied with a range of self inducing branchpipe nozzles(fog/jet optional) and aspirating foam cannons with flows from 500 to 2400 l/min*. The total assembly can be towed to site behind a fire tender or 4 x 4 and rapidly deployed using a local water supply. Applications include protection of tanks and plant sited over a wide area and where it is necessary to lift and direct a jet of foam over obstacles or over long distances.

PLKD30T(IBC)

Mobile Trailer Mounted Monitor

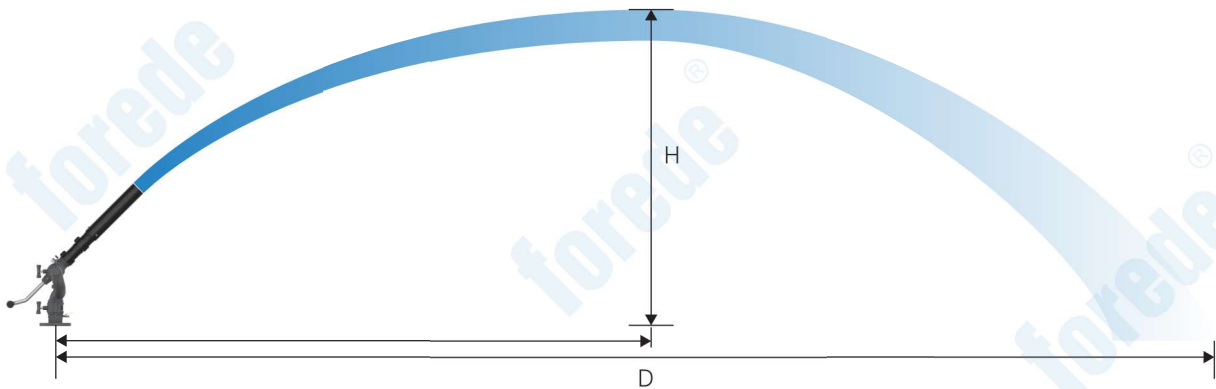
■ TECHNICAL SPECIFICATION

The FOREDE PLKD32 Monitor is made of aluminum body with casting longitudinal separators to reduce internal turbulence. Twin rotation joints in the vertical and horizontal planes allowing the direction to be adjusted. Adjustment of the operating angle is achieved in both the vertical and horizontal planes via a hand tiller or lever and locking nuts on stainless steel shafts.

- Inlet flange 3" DN80
- Outlet 2½" NH
- Self aspiration foam branchpipe
- Self aspiration fog/jet nozzles(optional)
- Self inducing (3% or 6%)
- Flows available: 1200 l/min and 2,400l/min*
- Rated working pressure: 7bar (100PSI)



■ PERFORMANCE CHART



Throw and Height Data						
Inlet pressure to monitor	6 bar	7 bar	8 bar	9 bar	10bar	
Flow l/min	2,000	2,400	2,450	2,620	2,770	
Angle						
Throw "D"	35°	42m	47m	52m	56m	59m
Height "H"	35°	9m	11m	11m	12m	13m
Throw "D"	45°	41m	45m	49m	53m	56m
Height "H"	45°	14m	16m	17m	18m	19m
Throw "D"	55°	34m	39m	43m	46m	48m
Height "H"	55°	18m	21m	23m	24m	25m
Throw "D"	65°	26m	29m	32m	34m	36m
Height "H"	65°	22m	25m	27m	29m	31m

Note: The throw and height data above is mathematically extrapolated from experimental tests using foam in still air. Figures may vary widely with wind conditions and other factors such as foam quality and equipment condition.

PLKD30T(IBC)

Mobile Trailer Mounted Monitor