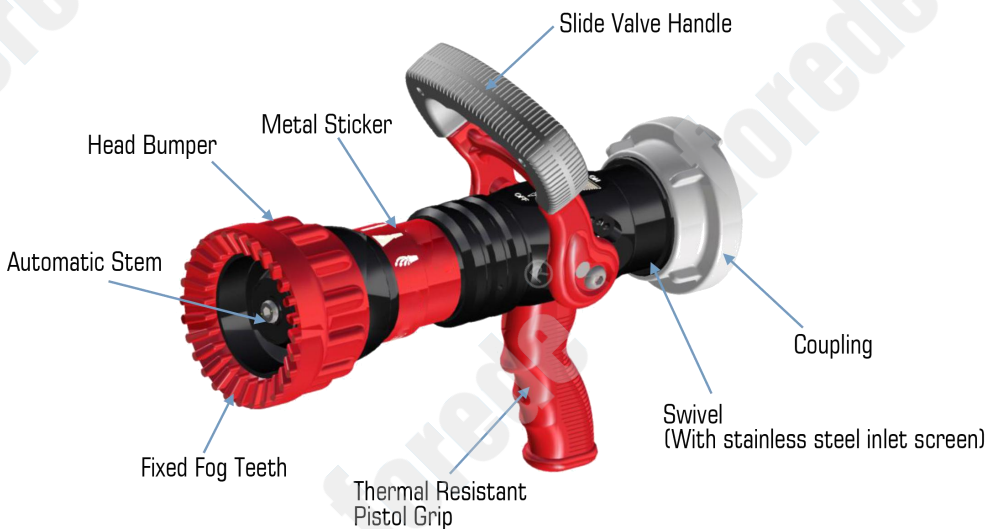


The FOREDE® Brand 2000 LPM Automatic Pistol Grip Nozzle Automatically adjust the pressure and switch the flow rate in the nozzle, the maximum reduction of the recoil force is small, and the safety of the nozzle can be significantly improved. The slide valve design can minimize the turbulence in the nozzle. Especially in environments with poor stability such as roofs, slopes, and elevated vehicles, recoil (also known as recoil) becomes a very dangerous factor. After using 2000 LPM, this kind of danger can be avoided.

#### FEATURES

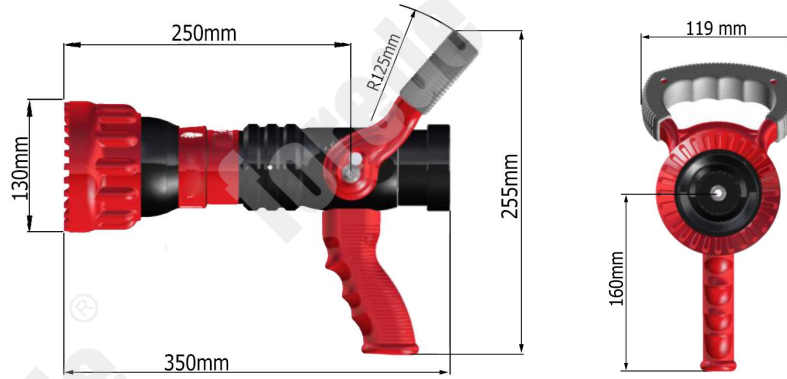
- Light aluminum alloy hard anodized construction
- Simple to operate (1/4 turn from straight stream to fog)
- 6 Detents slide valve
- Fixed molded rubber teeth
- Inlet screen (304 stainless steel)
- 360° Swivel,full time,even after tightening
- 130° Max. Fog Angle
- Could compatible with Quick Attach Foam Tube
- Big Flow rate 400 - 2000 LPM (100 - 500 GPM)



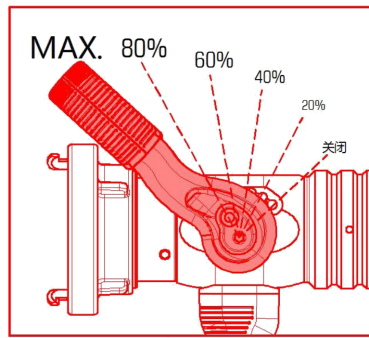
#### APPLICATION

- ◆ Refineries
- ◆ Fuel distribution depots
- ◆ Chemical plants
- ◆ Warehouses
- ◆ Helicopter landing pads
- ◆ Aircraft hangars
- ◆ Loading jetties
- ◆ Process plants
- ◆ Industrial process areas
- ◆ Shipping
- ◆ Vehicle-mounted

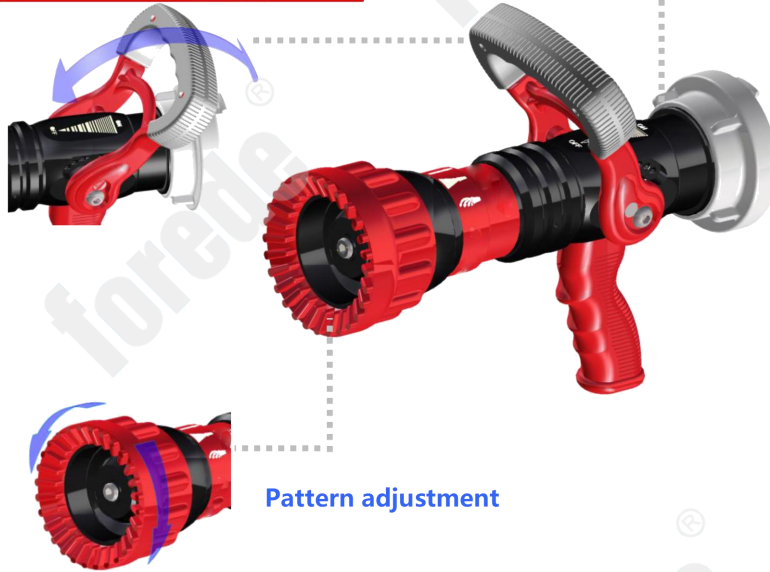
Body	Hard Anodized Aluminum alloy
Valve Handle	ABS
Pistol Grip	ABS
Head Bumper	Rubber
Model	QLD7.0/30-IV
Flow Rate	400 - 2000 LPM (100 - 500 GPM), automatic
Working Pressure	7 bar, Max 25 bar
Water Jetting Range	60 meters @ 7 bar
Max. Fog Angle	130°
Inlet	2.5 inch, available for STROZ,GOST,,NH,INST,MACHINO,etc.



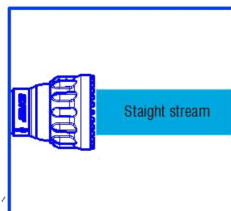
### DIMENSION



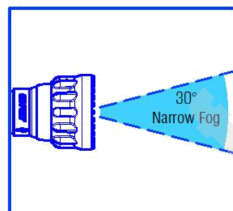
6 detents slide valve



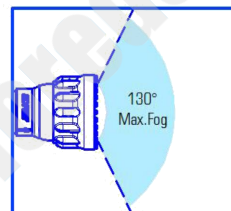
360° swivels



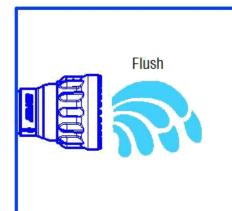
Staight stream



30°  
Narrow Fog



130°  
Max.Fog



Flush

**ORDERING GUIDE**

- Model Number
- Inlet Connection way, size and standard.
- Order Quantity
- Shipping/Transportation Way

**\*Other special requirements please contact FOREDE SALES TEAM.**

**Tips: for more related products or other firefighting equipment, please forward to our website, [www.forede.com](http://www.forede.com)**